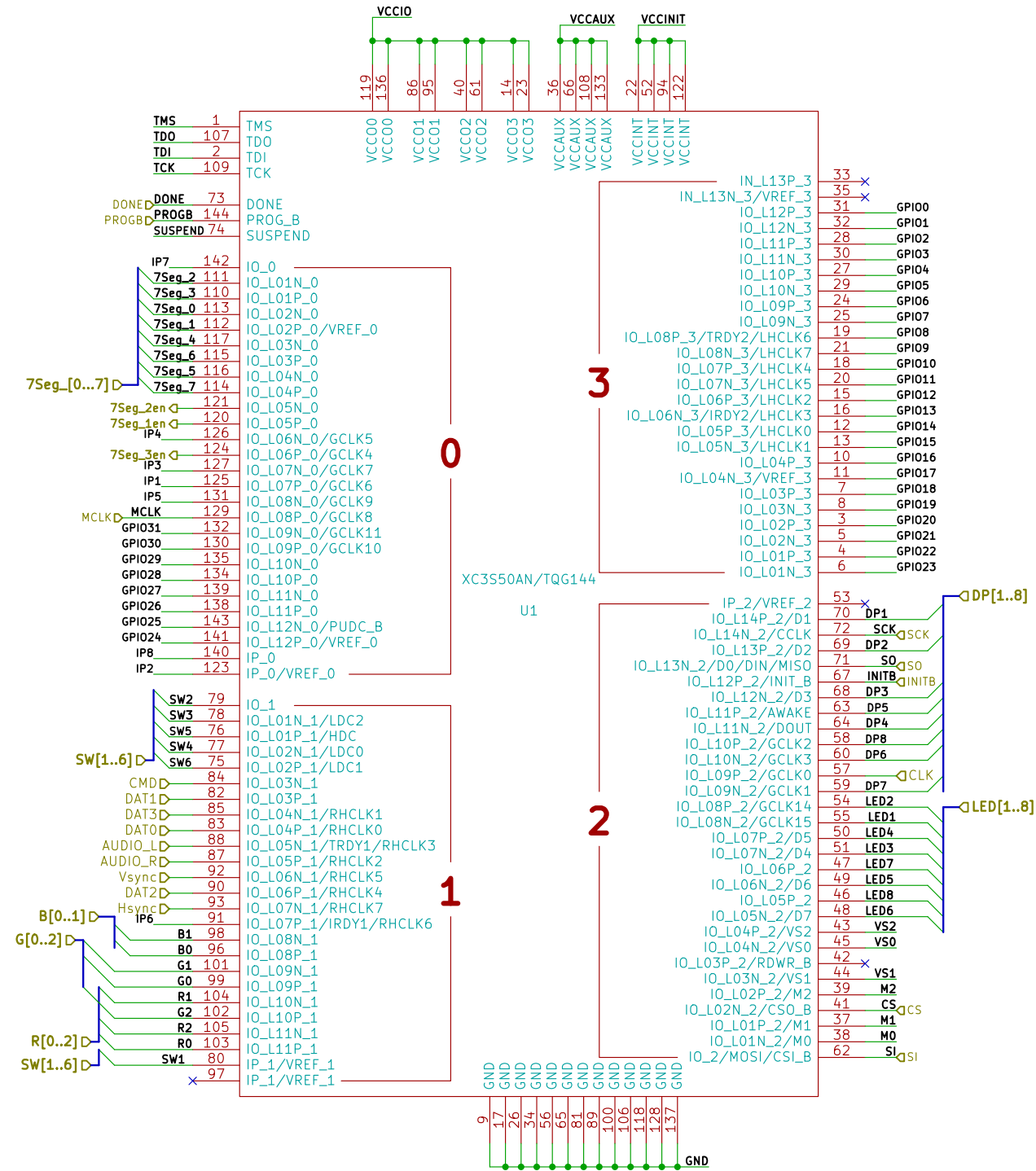
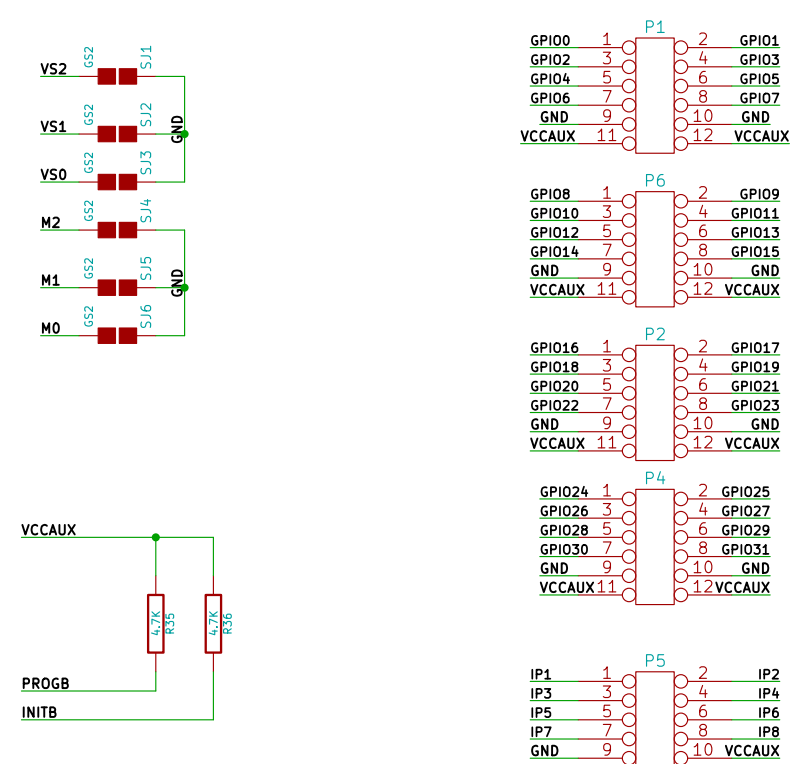


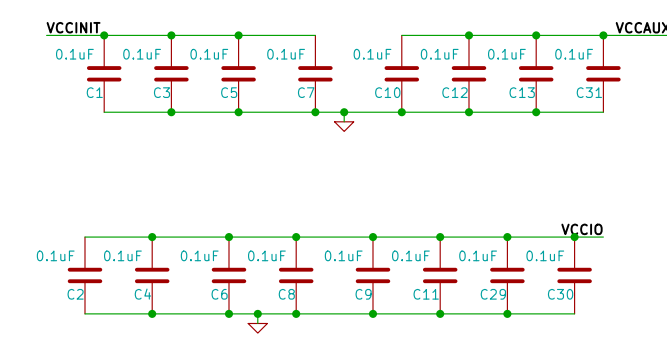
SPARTAN -XC3S50A

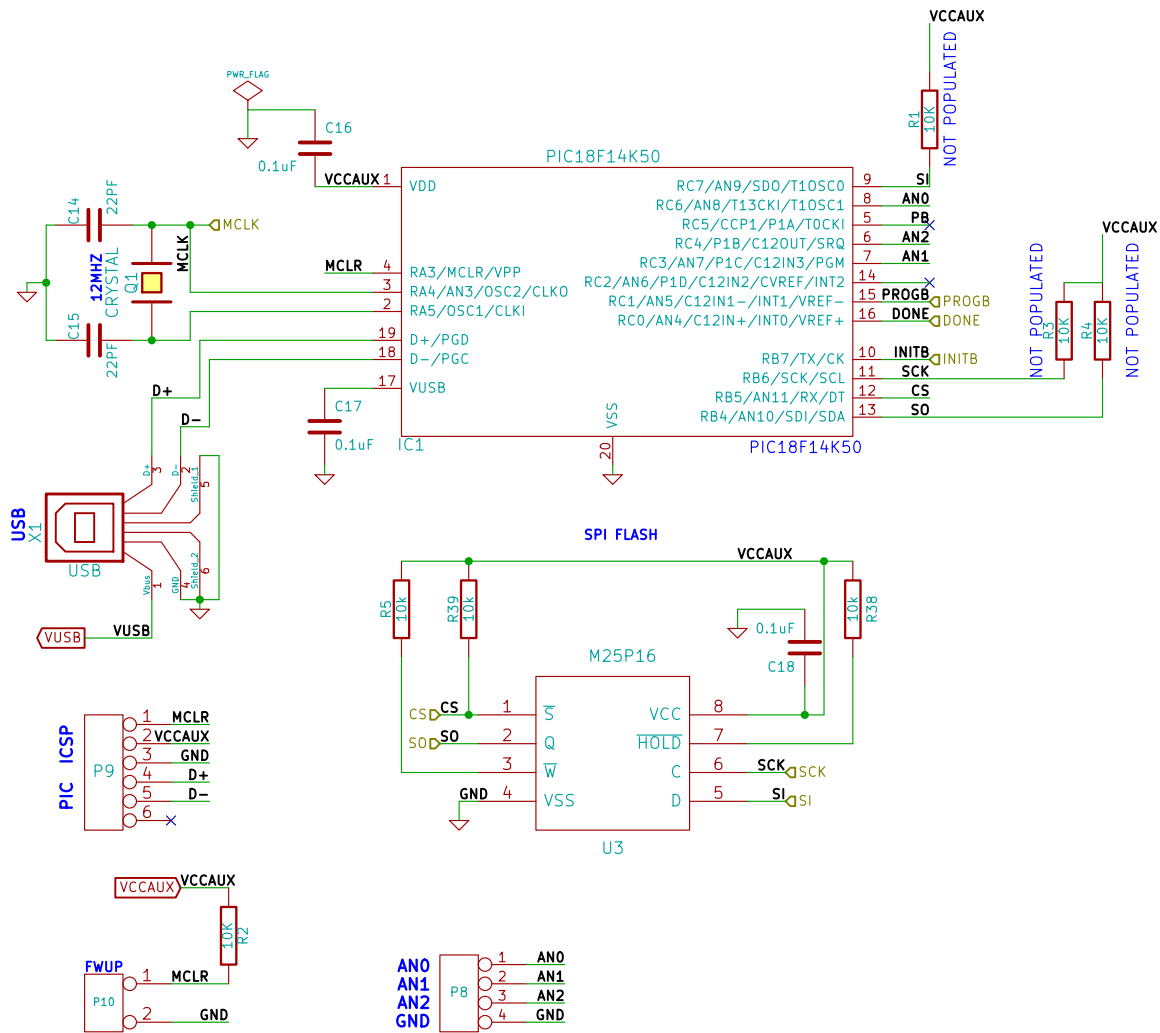


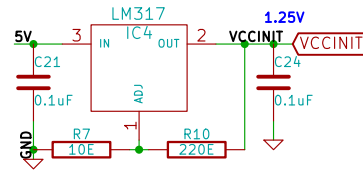
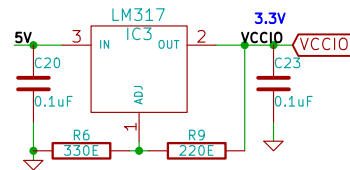
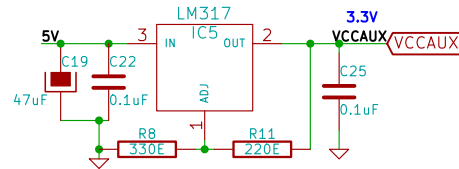
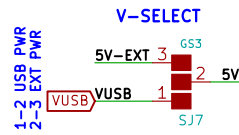
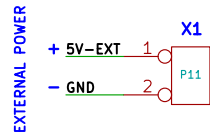
EXPANSION CONNECTORS



JTAG







License : CC BY-SA		http://www.numato.com	
Numato Lab		File: Power Supply.sch	
Sheet: /Power Supply/		Title: Elbert - Spartan 3A FPGA Development Board	
Size: A4	Date: 25 mar 2014	Rev:	
KiCad E.D.A.		Id: 4/5	

